

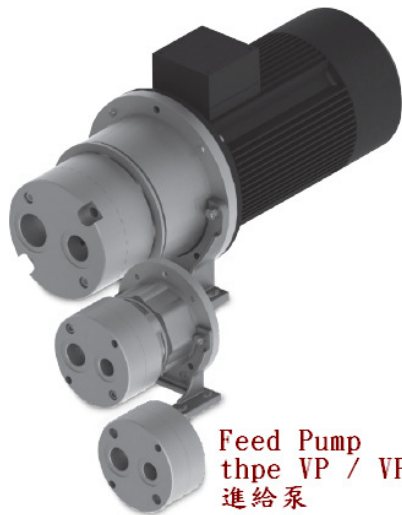


# HYDAC INTERNATIONAL

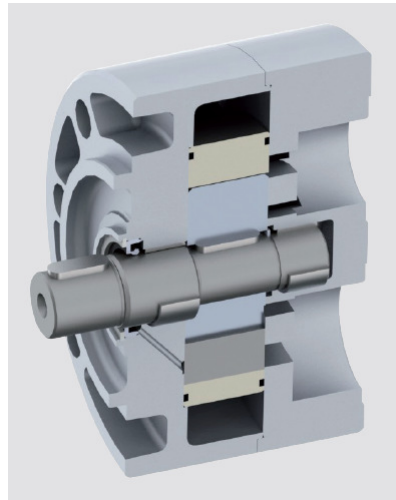
## Cooling Area / 冷卻領域

### VP / VPBM Feed pump

搭配齒輪箱Offline外部強制潤滑過濾冷卻系統之動力源  
Operating pressure up to 16 bar.



Feed Pump  
the VP / VPBM  
進給泵



### General

The feed pumps from the VP series are low-noise, single-stroke vane pumps with constant flow rate.  
Using a damped bell housing (PT) enables noise levels to be reduced.

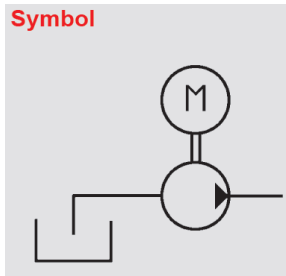
### Product Features

- Pump with bell housing and coupling
- Optional with flange-mounted motor
- Low-noise version

### Application Field

- Filter circuits
- Cooling circuits
- Lubrication technology
- Pump transfer units

Noise levels in dB(A)



	ccm/rev	1 bar	6 bar	10 bar
Size 2	20	57	60	63
	30	60	61	64
	40	61	62	64
Size 3	70	62	64	67
	100	66	67	69
	130	68	69	70

Test fluid: ISO VG46 at +40 °C (40 mm<sup>2</sup>/s)  
Measurements with damped pump mount  
The noise level values serve as guidelines,  
as room acoustics, connections, viscosity and reflection  
affect the level of noise.